



PRODUCT SPECIFICATION

HDA430

4.3', 480x272 TFT COLOR GRAPHICS  
LCD DISPLAY MODULE

APPLICATION NOTE

HANTRONIX, INC. 10080 BUBB RD. CUPERTINO, CA 95014	Q.A.:	REV:	HDA430	SHEET 1 OF 4
	ZW	1.0		DATE: 6/27/08

### TFT LCD Driver IC

- Source driver IC : HX8227 (please see attach datasheet)
- Gate driver IC : HX8655 (please see attach datasheet)

### FPC Connector Recommend

- FPC connector Supplier item /list show as below :
  - (1) CF20401U0T0-LF(40 pin / pitch 0.5mm / up contact)
  - (2) CF20401D0T0-LF(40 pin / pitch 0.5mm / down contact)
  - (3) CF25401D0R0-05 (40 pin / pitch 0.5mm / down contact)CviLux Corporation                      <http://www.cvilux.com.tw>

### Touch Panel Controller IC

- Touch panel controller Supplier item /list show as below :
  - (1) Texas Instruments                      <http://www.ti.com>  
Model number : ADS7843
  
  - (2) MAXIM Semiconductor                      <http://www.maxim-ic.com/>  
Model number : MXB7843

HANTRONIX, INC. 10080 BUBB RD. CUPERTINO, CA 95014	Q.A.:	REV.:	HDA430	SHEET 2 OF 4
	Z.W.	1.0		DATE: 6/27/08

## Backlight LED Driver

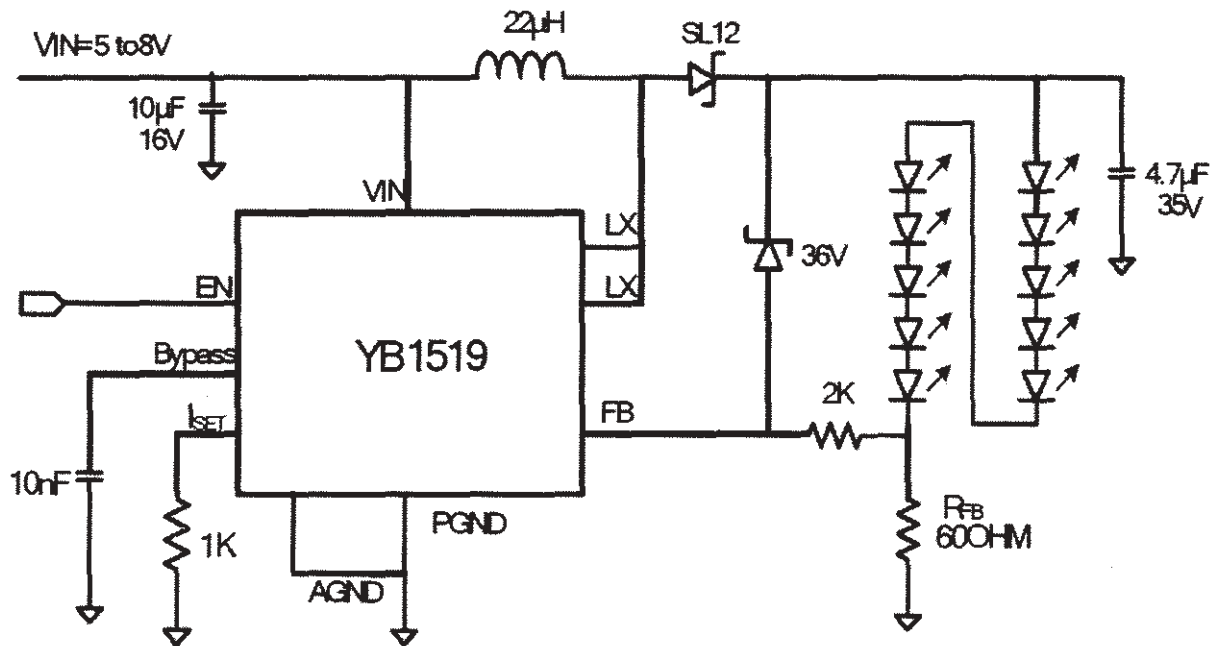
The HDA430/430T driving design of backlight unit is dependent on serial connect type of 10 LEDs (current : 20mA).

- LED Driver Supplier item /list show as below :

(1) YB1519

YOBON Technologies, Inc <http://www.yobon.com.tw>

YB1519 Reference circuit :



## RGB 18-bit Input signal application circuit

The HDA430/430T receives 24-bit digital display data with single clock edge and generates corresponding 256 level gray scale voltage outputs to realize 16M colors display. If digital display data input to with 18-bit format (R6G6B6), the recommend application circuit show as below.

