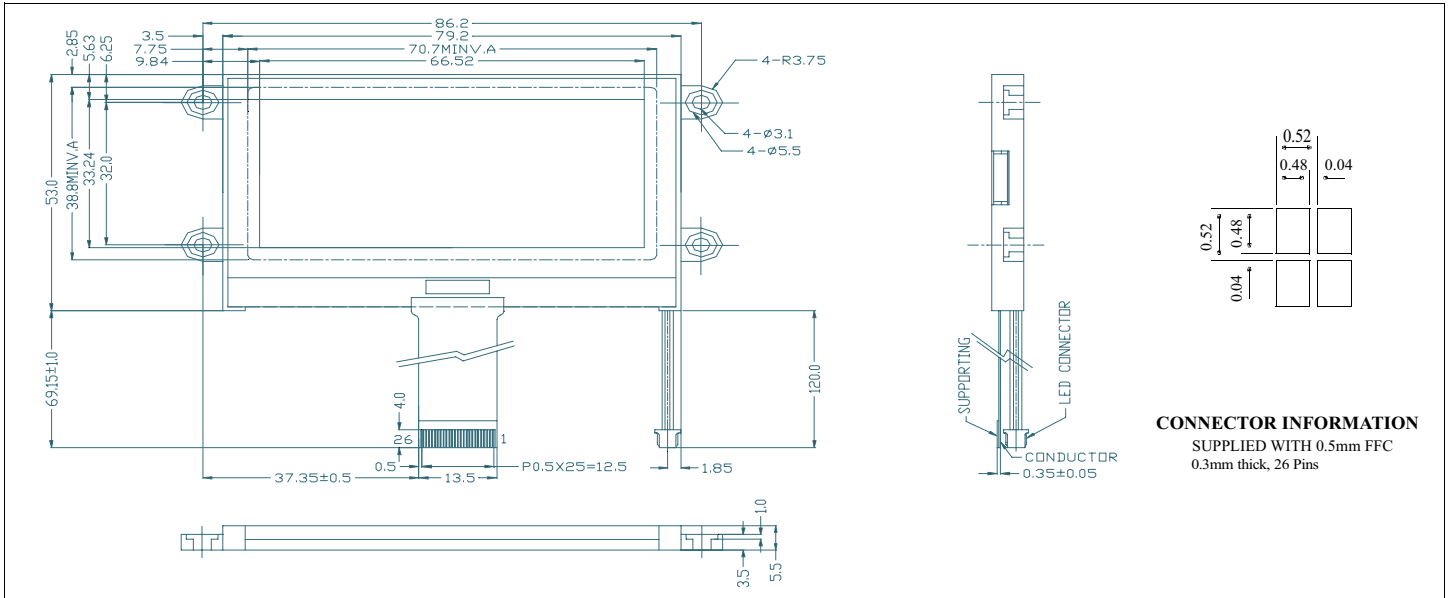


HDG12864L-4

Chip On Glass technology

Dimensional Drawing

128 X 64 Dots Graphic with LED Backlight



CONNECTOR INFORMATION
 SUPPLIED WITH 0.5mm FFC
 0.3mm thick, 26 Pins

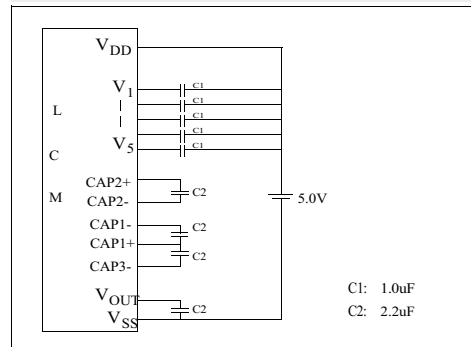
Features

- Back light White or Yellow/Green LED
- Connection Flat Flex Cable
- Options.....STN/FSTN, 6/12 o'clock View
 Extended/Normal Temperature
 Transflective or Reflective Polarizer
- Built-in Controller.....Epson SED1565 Series

Physical Data

- Module Size.....93.2W x 53.0H x 5.5T mm
- Viewing Area Size.....70.7W x 38.8 mm
- Dot Pitch.....0.52W x 0.52H mm
- Dot Size.....0.48W x 0.48H mm

Power Supply



Absolute Maximum Ratings

PARAMETER	SYMBOL	MIN	MAX	UNIT
SUPPLY VOLTAGE	V _{DD} -V _{SS}	- 0.3	5.5	V
SUPPLY VOLTAGE FOR LCD	V _{DD} -V _L	0	16.0	V
INPUT VOLTAGE	V _{IN}	- 0.3	V _{DD}	V
OPERATING TEMPERATURE	T _{OP}	-20	70	°C
STORAGE TEMPERATURE	T _{STG}	-30	80	°C

Electrical Characteristics (VDD=5.0±0.25V 25°C)

PARAMETER	SYM	MIN	TYP	MAX	UNIT
POWER SUPPLY VOLTAGE	V _{DD}	3.0	5.0	5.5	V
INPUT HIGH VOLTAGE	V _{IH}	0.7V _{DD}	-	V _{DD}	V
INPUT LOW VOLTAGE	V _{IL}	-0.3	-	0.2V _{DD}	V
POWER SUPPLY FOR LCD	V _{DD} -V _L		8.5		V
POWER SUPPLY CURRENT	I _{DD}	-	7.45		mA
LED Forward Voltag (White)	V _F	3.2	3.5	3.8	V
(Yellow)		3.9	4.1	4.3	
LED Forward Curren (White)	I _F	-	-	135	mA
(Yellow)		-	90	150	
DRIVE METHOD		1/64 Duty			

Pin Connections

PIN NO.	SYMBOL	FUNCTION
1	CS1	Chip Select Signal
2	RES	Reset Signal
3	A0	Control/Data Select Signal
4	R/W	Signal to select Read or Write
5	E	Enable Clock Input
6 - 13	D0-D7	Data Bus
14	V _{DD}	Power supply for Logic
15	V _{SS}	Ground
16	VOUT #	DC/DC Converter Output
17	CAP3+	DC/DC Voltage ConInverter capacitors
18	CAP1+	
19	CAP1-	
20	CAP2-	
21	CAP2+	LCD Driver Supply Voltages
22	V1	
23	V2	
24	V3	
25	V4	
26	V5	

#Has built-in inverter for negative power supply