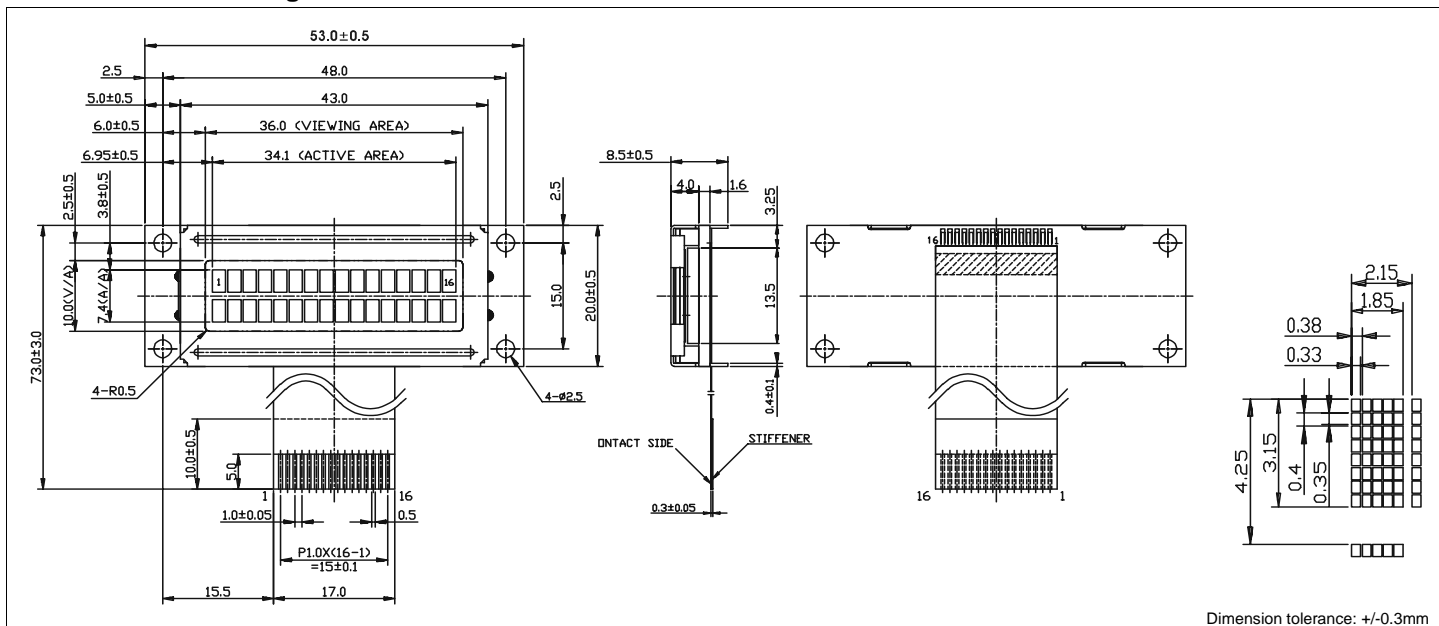


HDM16216H-S

Dimensional Drawing

16 Character x 2 Lines, Very Small Size



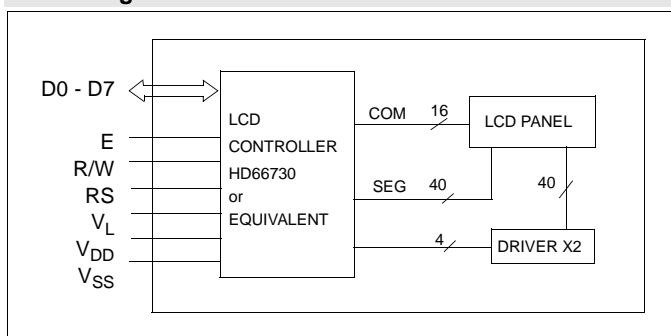
Features

Character Format5x7 Dots with Cursor
 Backlight.....EL Optional
 Options.....Yellow STN, 6 o'Clock View
 Normal/Extended Temperature
 Normal/Negative Displays

Physical Data

Module Size.....53.0W x 20.0H x 8.5T mm
 Viewing Area Size.....36.0W x 10.0H mm
 Weight.....10g

Block Diagram



Absolute Maximum Ratings

PARAMETER	SYMBOL	MIN	MAX	UNIT
SUPPLY VOLTAGE	$V_{DD}-V_{SS}$	-0.3	7.0	V
SUPPLY VOLTAGE FOR LCD	$V_{DD}-V_L$	0	13.5	V
INPUT VOLTAGE	V_{IN}	-0.3	$V_{DD}+0.3$	V
OPERATING TEMPERATURE	T_{OP}	0	50	°C
STORAGE TEMPERATURE	T_{STG}	-20	70	°C

Pin Connections

PIN NO.	SYMBOL	LEVEL	FUNCTION
1	V_{SS}	-	Power supply
2	V_{DD}	-	
3	V_L	-	
4	RS	H/L	H: Data input L: Instruction data input
5	R/W	H/L	H: Data read L: Data write
6	E	H,H→L	Enable signal
7	D0	H/L	Data bus
8	D1	H/L	
9	D2	H/L	
10	D3	H/L	
11	D4	H/L	
12	D5	H/L	
13	D6	H/L	
14	D7	H/L	
15	N/C		
16	N/C		

Electrical Characteristics (VDD=5.0±0.25V 25°C)

PARAMETER	SYM	CONDITION	MIN	TYP	MAX	UNIT
INPUT HIGH VOLTAGE	V_{IH}	-	2.2	-	V_{DD}	V
INPUT LOW VOLTAGE	V_{IL}	-	V_{SS}	-	0.6	V
OUTPUT HIGH VOLTAGE	V_{OH}	$I_{OH}=0.2mA$	2.4	-	V_{DD}	V
OUTPUT LOW VOLTAGE	V_{OL}	$I_{OL}=1.2mA$	V_{SS}	-	0.4	V
POWER SUPPLY CURRENT	I_{DD}	$V_{DD}=5.0V$, $V_L=4.4V$	-	1.0	2.0	mA
POWER SUPPLY FOR LCD	$V_{DD}-V_L$	$T_A=25°C$	-	4.4	-	V
DRIVE METHOD		1/16 Duty				