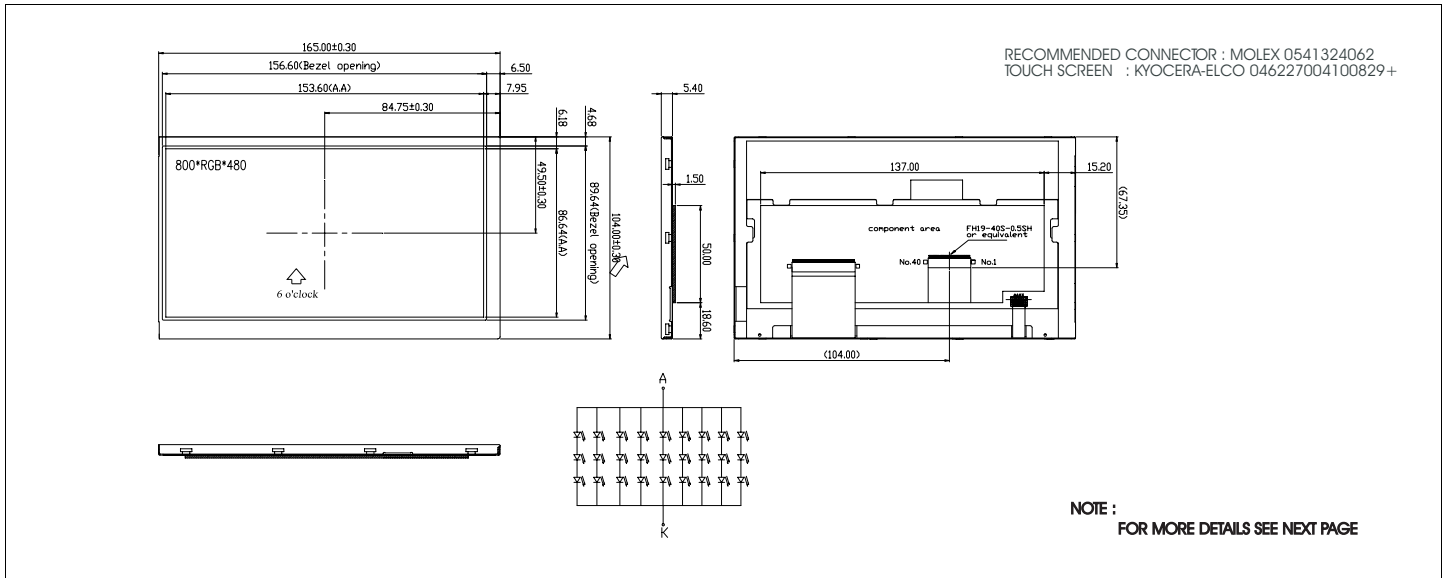


HDA700L-3G

Dimensional Drawing

7", WVGA (800 X480) , TFT Color Graphics ,White LED Backlight



- Features**
- Viewing Angle(H/V).....140/110 degrees
 - High Contrast.....500:1
 - Fast Response Time(R/F).....25 msec
 - Built-in Controller.....none
 - Built-in White LED Backlight Driver with Brightness Cntr.
 - Touch Screenoptional
 - High Brightness option.....550 cd/m²

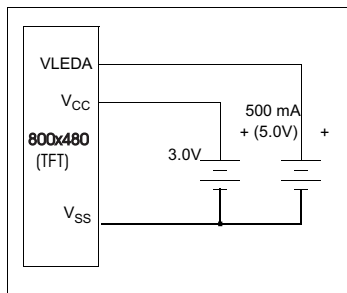
Electrical Characteristics (VCC=3.0±0.125V 25°C)

PARAMETER	SYM	CONDITION	MIN	TYP	MAX	UNIT
OPERATING VOLTAGE	V _{CC}	-	2.7	3.0	3.5	V
OPERATING VOLTAGE W. LED	V	-	4.5	5.0	5.5	V
INPUT HIGH VOLTAGE	V _{IH}	-	0.7*V _{CC}	-	V _{CC}	V
INPUT LOW VOLTAGE	V _{IL}	-	0	-	0.3*V _{CC}	V
OPERATING CURRENT	I _{CC}	V _{CC} = 3.0V	-	170	-	mA
OPERATING CURRENT W. LED	I _{LED}	-	-	450	550	mA
POWER CONSUMPTION	P	-	-	2.960	-	W
BRIGHTNESS	L	-	280	350	-	cd/m ²

Physical Data

- Module Size.....165.0W x104.0H x5.4T mm
- Viewing Area Size.....156.6W x89.64 H mm
- Dot Pitch.....0.192W x 0.1805H mm
- Weight.....128 g

Power Supply



Pin Connections

PIN NO.	SYMBOL		FUNCTION
1	GND	-	Power Ground
2	GND	-	Power Ground
3	ADJ	-	Brightness Control for Backlight
4	VLED	-	Power Supply for LED Driver (+5V)
5	VLED	-	Power Supply for LED Driver (+5V)
6	VLED	-	Power Supply for LED Driver (+5V)
7	VCC	-	Power Supply
8	VCC	-	Power Supply
9	DE	H/L	Display Timing
10	GND	-	Power Ground
11	GND	-	Power Ground
12	GND	-	Power Ground
13-15	B5-B3	H/L	Blue Data 5-3
16	GND	-	Power Ground
17-19	B2-B0	H/L	Blue Data 2-0
20	GND	-	Power Ground
21-23	G5-G3	H/L	Green Data 5-3
24	GND	-	Power Ground
25-27	G2-G0	H/L	Green Data 2-0
28	GND	-	Power Ground
29-31	R5-R3	H/L	Red Data 5-3
32	GND	-	Power Ground
33-35	R2-R0	H/L	Red Data 2-0
36	GND	-	Power Ground
37	GND	-	Power Ground
38	DCLK	H/L	Data Clock
39	GND	-	Power Ground
40	GND	-	Power Ground

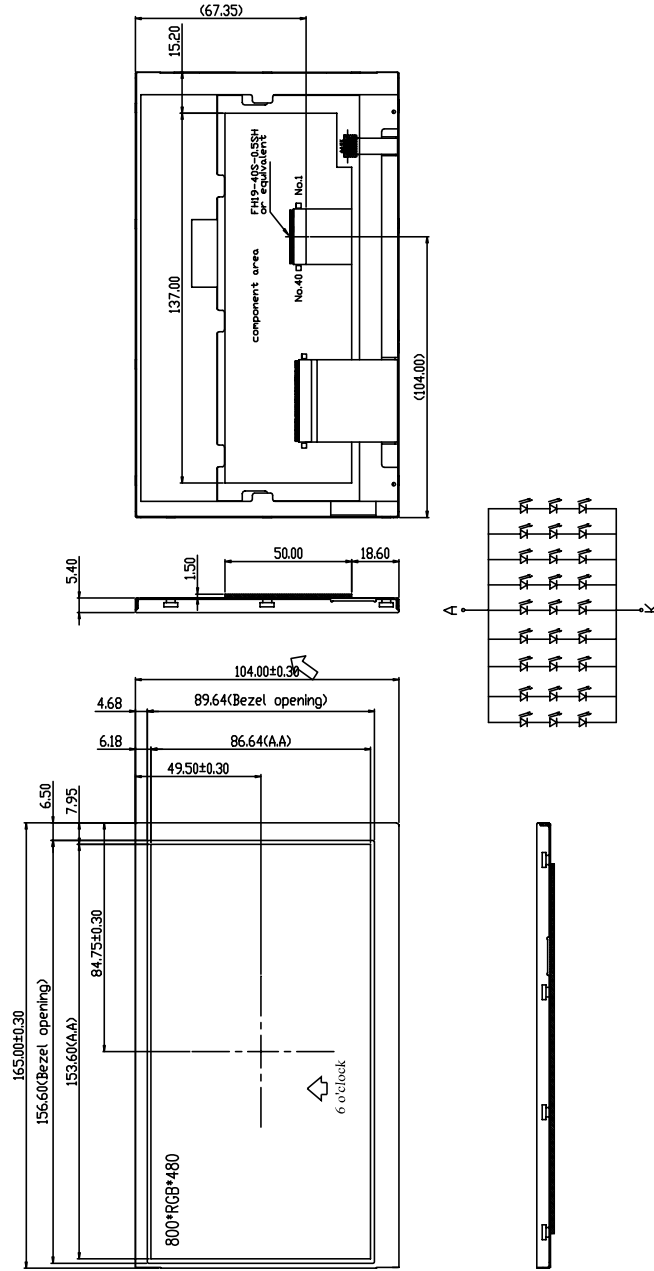
Absolute Maximum Ratings

PARAMETER	SYMBOL	MIN	MAX	UNIT
SUPPLY VOLTAGE	V _{CC}	-0.3	6	V
INPUT VOLTAGE	V _{IN}	-0.3	V _{CC} + 0.3	V
OPERATING TEMPERATURE	T _{OP}	-20	+70	°C
STORAGE TEMPERATURE	T _{STG}	-30	+80	°C

HDA700L-3G

Dimensional Drawing

7", WVGA (800 X480) , TFT Color Graphics ,White LED Backlight



No.	Pin Name
1	GND
2	GND
3	AVDD
4	VLED
5	VLED
6	VLED
7	VCC
8	VCC
9	DE
10	GND
11	GND
12	GND
13	B5
14	B4
15	B3
16	GND
17	B2
18	B1
19	R0
20	GND
21	G5
22	G4
23	G3
24	GND
25	G2
26	G1
27	G0
28	GND
29	R5
30	R4
31	R3
32	GND
33	R2
34	R1
35	R0
36	GND
37	GND
38	DECLK
39	GND
40	GND

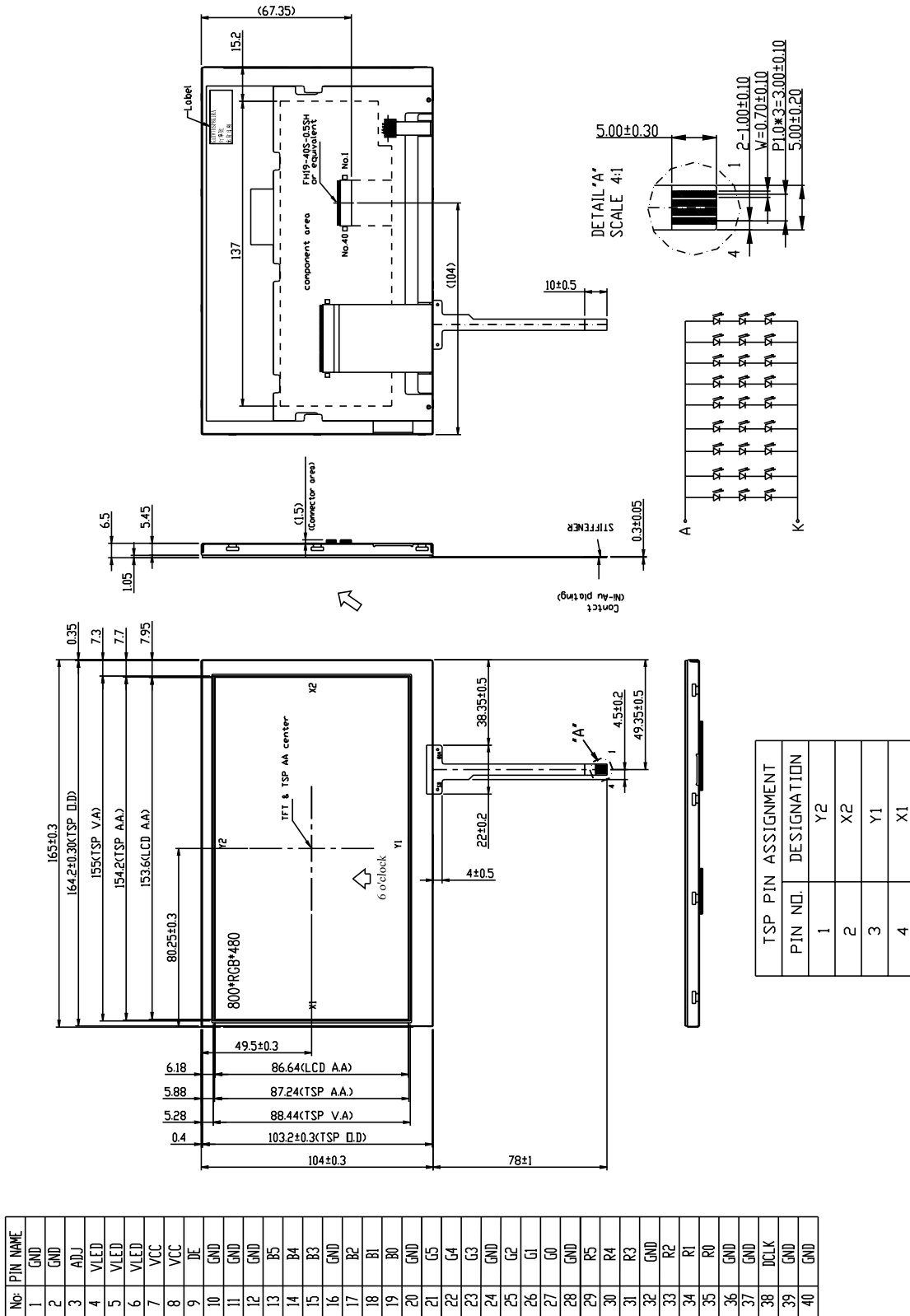
HDA700LT-3G

Dimensional Drawing

7" ,WVGA (800 X480) , TFT, with Touch Screen ,White LED Backlight

With TOUCH SCREEN

TOUCH SCREEN CONNECTOR : KYOCERA-ELCO 046227004100829+



HDA700L-3GH

Dimensional Drawing

7" ,WVGA (800 X480) , TFT, High Brightness ,White LED Backlight

No.	PIN NAME
1	GND
2	GND
3	ADJ
4	VLED
5	VLED
6	VLED
7	VCC
8	VCC
9	DE
10	GND
11	GND
12	GND
13	B5
14	B4
15	B3
16	GND
17	R2
18	B1
19	R0
20	GND
21	G5
22	G4
23	G3
24	GND
25	G2
26	G1
27	G0
28	GND
29	R3
30	R4
31	R3
32	GND
33	R2
34	R1
35	R0
36	GND
37	GND
38	DCLK
39	GND
40	GND

