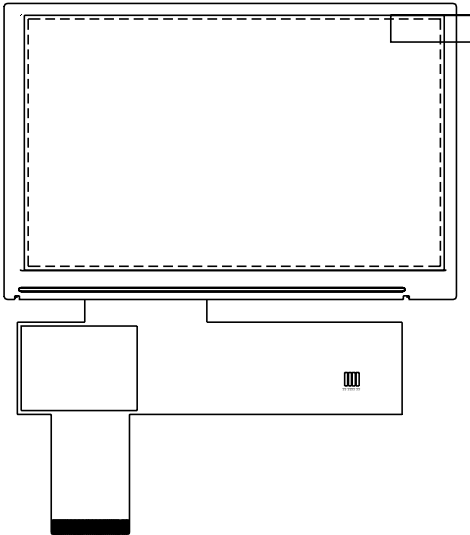




PRODUCT SPECIFICATION

**HDA500-G**

5", TFT WVGA (800X480) COLOR  
LCD DISPLAY MODULE



HANTRONIX, INC. 10080 BUBB RD. CUPERTINO, CA 95014	Q.A.:	REV.:	HDA500-G	SHEET 1 OF 17
	Z.W.	1.0		DATE: 2/3/11

## 1. General Description and Features

HDA500-G is a transmissive type color active matrix TFT (Thin Film Transistor) liquid crystal display (LCD) that uses amorphous silicon TFT as a switching device. This model is composed of a TFT-LCD module, a driver circuit and a back-light unit. Graphics and texts can be displayed on a WVGA 800 (W) x 3 x 480 (H) dots (15:9 aspect ratio) with 16.7M colors by supplying 24 bits data signal (8 bits/each color).

### 1.1 Features

- Transmissive and back-light with 14 LEDs are available.
- TN (Twisted Nematic) mode.
- Digital RGB (8 bits/color) data transfer.
- Data enable mode.

### 1.2 LCD Module

Item	Specification	Unit
Screen Size	5.0 inches	Diagonal
Display Resolution	800 (H) x 480 (V)	Pixel
Active Area	108 (H) x 64.8 (V)	mm
Outline Dimension	118.5 (H) x 77.55 (V) x 3.4 (T)	mm
Display Mode	Normally white mode/ Transmissive	--
Pixel Arrangement	R,G,B Vertical Stripe	--
Pixel Size	135 x 135	um
Display Color	16.7 M	--
Viewing Direction	6 o'clock	--
Input Interface	Digital RGB (8 bits/color) Data Transfer	--

## 2. Mechanical Information

Item	Min.	Typ.	Max.	Unit	Note	
Module Size	Horizontal (H)	118.35	118.5	118.65	mm	
	Vertical (V)	77.4	77.55	77.70	mm	
	Thickness (T)	3.1	3.4	3.7	mm	(1)
Weight	--	(62)	--	g	--	

Note (1) Not Include Component . Refer to the Outline Dimension Drawing as attached.

HANTRONIX, INC. 10080 BUBB RD. CUPERTINO, CA 95014	Q.A.:	REV.:	HDA500-G	SHEET 2 OF 17
	Z.W.	1.0		DATE: 2/3/11

### 3. Electrical Specifications

#### 3.1 Absolute Max. Ratings

##### 3.1.1 Absolute Ratings of Environment

If the operating condition exceeds the following absolute maximum ratings, the TFT LCD module may be damaged permanently.

(Ta=25±2°C, V<sub>SS</sub>=GND=0)

Item	Symbol	Min.	Max.	Unit	Note
Storage temperature	T <sub>STG</sub>	-30	80	°C	(1)
Operating temperature	T <sub>OPR</sub>	-20	70	°C	(1,2,3)

Note (1) 95 % RH Max. ( 40 °C ≥ Ta ). Maximum wet-bulb temperature at 39 °C or less. (Ta > 40 °C) No condensation.

Note (2) In case of below 0°, the response time of liquid crystal (LC) becomes slower and the color of panel becomes darker than normal one. Level of retardation depends on temperature, because of LC's character

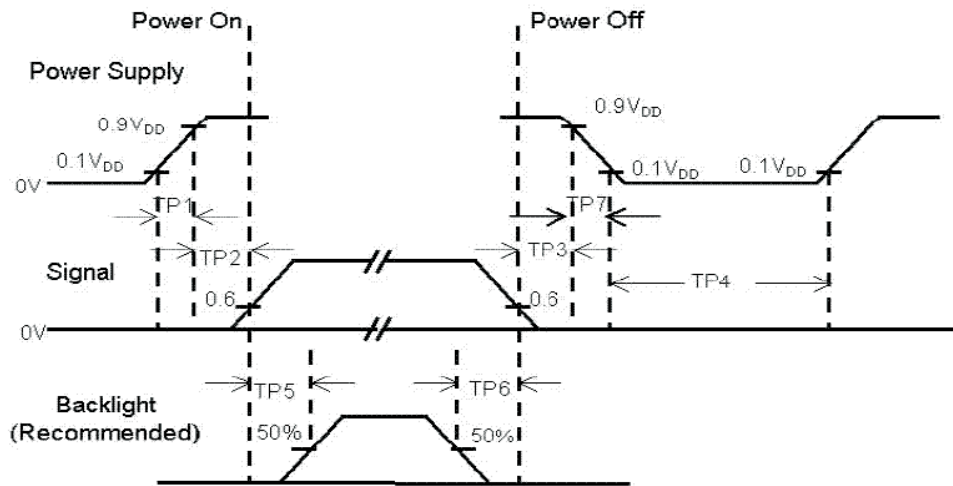
Note (3) Only operation is guaranteed at operating temperature. Contrast, response time, another display quality are evaluated at +25°C.

### 3.1.2 Electrical Absolute Maximum Ratings

(V<sub>SS</sub>=GND=0)

Parameter	Symbol	Min.	Max.	Unit	Remark
Power supply voltage	V <sub>DD</sub>	-0.5	5.0	V	
Signal input voltage	R0-R7,G0-G7, B0-B7,DCLK,DE,HS,VS	-0.3	V <sub>DD</sub> +0.3	V	--
Permissible input ripple voltage	V <sub>RF</sub>	--	100	mVp-p	V <sub>DD</sub> =+3.3V

Display On/Off Sequence :



**Note :**

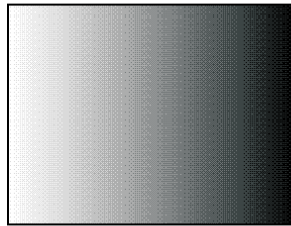
- (1) The supply voltage of the external system for the module input should be the same as the definition of V<sub>DD</sub>.
- (2) Apply the lamp voltage within the LCD operation range. When the back-light turns on before the LCD operation or the LCD turns off before the back-light turns off, the display may momentarily become white.
- (3) In case of V<sub>DD</sub> = off level, please keep the level of input signal on the low or keep a high impedance.
- (4) TP4 should be measured after the module has been fully discharged between power off and on period.
- (5) Interface signal shall not be kept at high impedance when the power is on.

3.1.3 DC Electrical Characteristics of the TFT LCD

(Ta=25±2°C, V<sub>SS</sub>=GND=0)

Item	Symbol	Min.	Typ.	Max.	Unit	Remark
Power supply	VDD	3.0	3.3	3.6	V	
Input Voltage for logic	H Level	V <sub>IH</sub>	0.7×VDD	-	VDD	V
	L Level	V <sub>IL</sub>	0	-	0.3×VDD	V
Power Supply current	I <sub>DD</sub>	-	-	(220)	mA	Note 1

Note1: f<sub>v</sub> =60Hz , Ta=25°C , Display pattern : Gray pattern

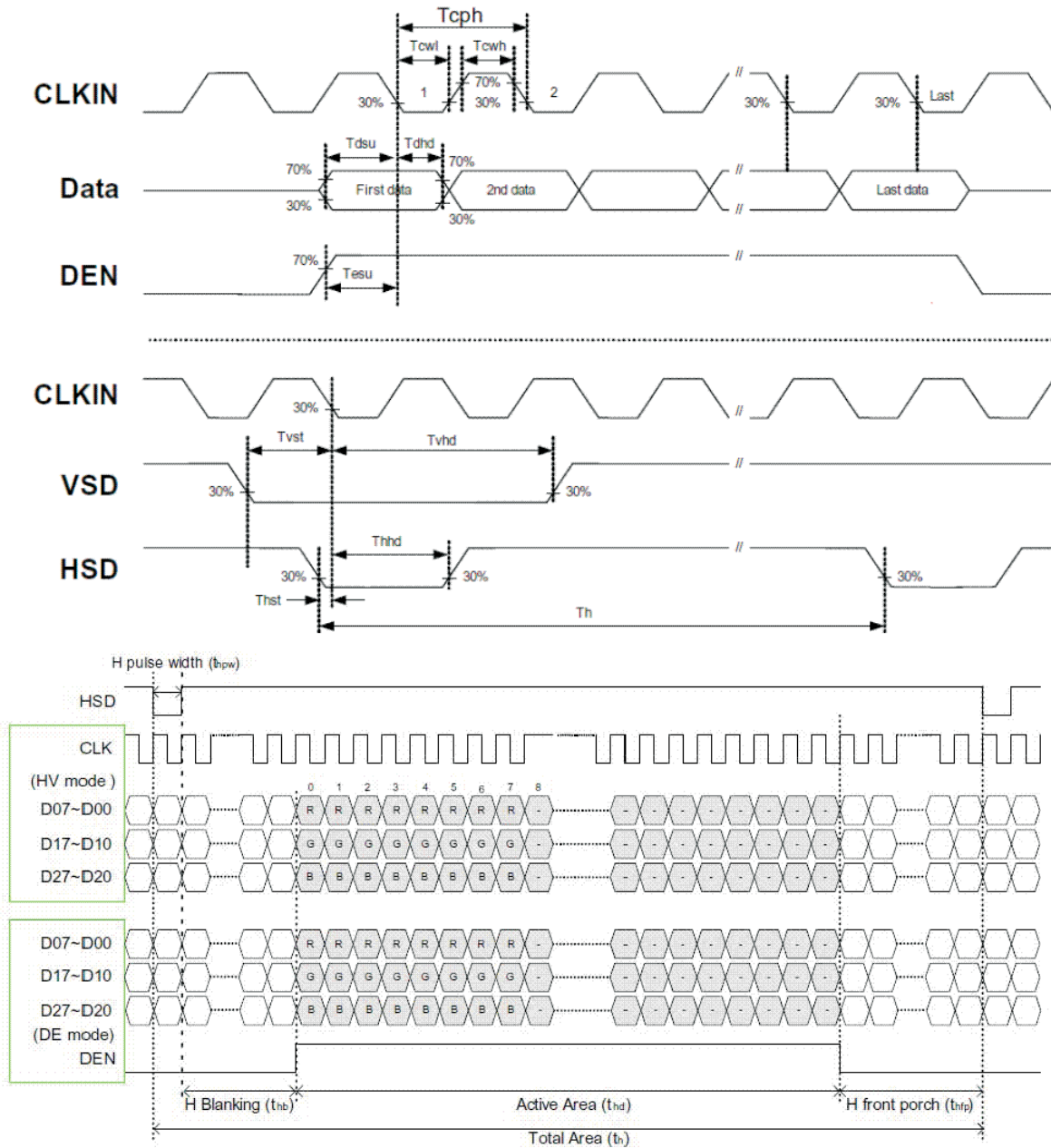


### 3.2 AC Timing Characteristic of The LCD

#### 3.2.1 Timing Condition (DE only mode)

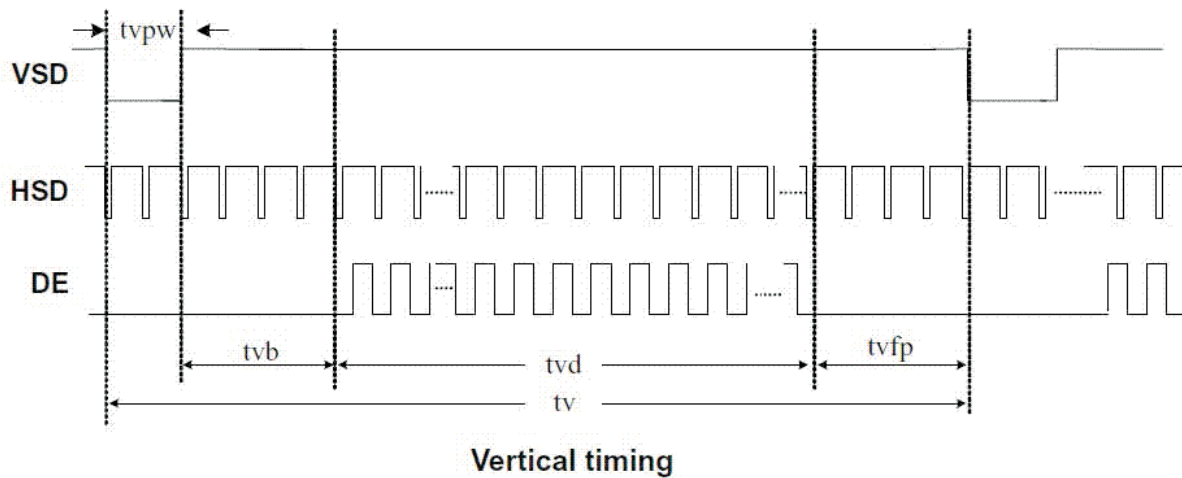
Signal	Parameter	Symbol	Min.	Typ.	Max.	Unit.	Remark
DCLK	DCLK cycle time	$T_{cph}$	25	-	-	ns	
	DCLK Frequency	$f_{clk}$	-	30	40	MHz	
	DCLK High plus width	$T_{cwh}$	40	50	60	%	
Horizontal	HSD setup time	$T_{hst}$	8	-	-	ns	
	HSD hold time	$T_{hhd}$	8	-	-	ns	
	Horizontal display area	$t_{hd}$	-	800	-	Tcph	
	HSD period time	$t_h$	-	928	-	Tcph	
	HSD pulse width	$t_{hpw}$	1	48	-	Tcph	
	HSD back porch	$t_{hb}$	-	40	-	Tcph	
	HSD front porch	$t_{hfp}$	-	40	-	Tcph	
Vertical	VSD setup time	$T_{vst}$	8	-	-	ns	
	VSD hold time	$T_{vhd}$	8	-	-	ns	
	Vertical display area	$t_{vd}$	-	480	-	th	
	VSD period time	$t_v$	-	525	-	th	
	VSD pulse width	$t_{vpw}$	-	3	-	th	
	VSD back porch	$t_{vb}$	-	29	-	th	
	VSD front porch	$t_{vfp}$	-	13	-	th	
DE	DE setup time	$T_{esu}$	8	-	-	ns	
	DE hold time	$T_{ehd}$	8	-	-	ns	
DATA	Data setup time	$T_{dsu}$	8	-	-	ns	
	Data hold time	$T_{dhd}$	8	-	-	ns	

3.2.2 Timing Characteristic  
 3.2.2.1 DE and RGB Input Timing



Horizontal display timing range

HANTRONIX, INC. 10080 BUBB RD. CUPERTINO, CA 95014	Q.A.:	REV.:	HDA500-G	SHEET 7 OF 17
	Z.W.	1.0		DATE: 2/3/11



### 3.3 Back-Light Unit

The Back-light system is an edge-lighting type with 14 white LED (Light Emitting Diode)s. The characteristics of 14 white LEDs are shown in the following tables.

(Ta= Room Temp)

Characteristics	Symbol	Min.	Typ.	Max.	Unit	Note
Forward Voltage	$V_f$	(22.4)	(23.1)	(23.8)	V	
Forward Current	$I_f$	-	40	-	mA	(1)
Power Consumption	$P_{BL}$	-	924	-	mW	(2)
LED Life time	-	(20000)	-	-	hr	(3)

Note (1) LEDs in 7 series x 2 parallel type.

(2) Where  $I_f = 40\text{mA}$ ,  $V_f = 23.1$ ,  $P_{BL} = V_f \times I_f$

(3) The environmental conducted under ambient air flow ,at  $T_a=25\pm 2^\circ\text{C}$ ,  $60\%\text{RH}\pm 5\%$

HANTRONIX, INC. 10080 BUBB RD. CUPERTINO, CA 95014	Q.A.:	REV.:	HDA500-G	SHEET 8 OF 17
	Z.W.	1.0		DATE: 2/3/11



#### 4. Optical Characteristics

##### 4.1 Optical characteristic of the LCD

The following items are measured under stable conditions. The optical characteristics should be measured in a dark room or equivalent state with the methods.

Measuring equipment: BM-7A

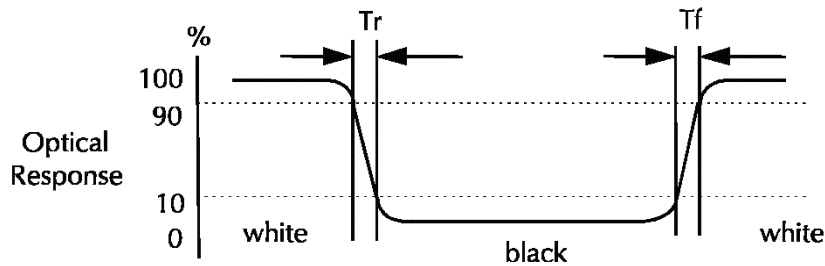
Item	Symbol	Condition	Min	Type	Max	Unit	Note	
Brightness	B		(200)	(250)	--	cd/m <sup>2</sup>		
Response time	T <sub>r</sub>	θ=0°	-	3	6	ms	.	
	T <sub>f</sub>		--	7	14	ms		
Contrast ratio	CR	At optimized viewing angle	(480)	(600)	--	--		
Color Gamut	NTSC %	--	--	(50)	--	%		
Luminance Uniformity	ΔL		70	80		%		
Color Chromaticity (CIE 1931)	White	W <sub>x</sub>	θ=0° Normal Viewing Angle	(0.277)	(0.307)	(0.337)	--	BM-7A
		W <sub>y</sub>		(0.318)	(0.348)	(0.378)		
Viewing Angle (6H)	Hor.	θ <sub>R</sub>	CR≥10	65	75	--	Degree	
		θ <sub>L</sub>		65	75	--		
	Ver.	θ <sub>U</sub>		50	60	--		
		θ <sub>D</sub>		60	70	--		

a. Test equipment setup

After stabilizing and leaving the panel alone shall be warmed up for the stable operation of LCM, the measurement should be executed. Measurement should be executed in a stable, windless, and dark room. Optical specifications are measured by Topcon BM-7(fast) with a viewing angle of 2° at a distance of 50cm and normal direction.

b. Definition of response time: Tr and Tf

The response time is defined as the following figure and shall be measured by switching the input signal for "black" and "white".



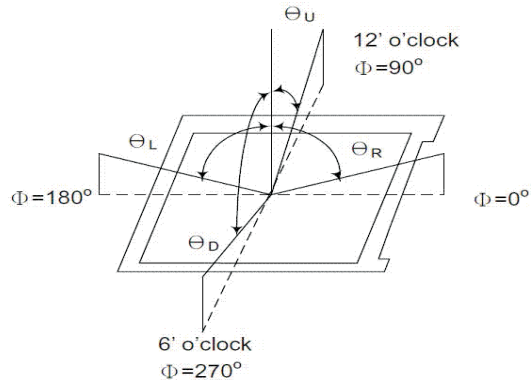
c. Definition of contrast ratio:

$$\text{Contrast Ratio (CR)} = \frac{\text{Brightness measured when LCD is at "white state"}}{\text{Brightness measured when LCD is at "black state"}}$$

d. Measured at the center area of the panel when all the input terminals of LCD panel are electrically opened.

HANTRONIX, INC. 10080 BUBB RD. CUPERTINO, CA 95014	Q.A.:	REV.:	HDA500-G	SHEET 10 OF 17
	Z.W.	1.0		DATE: 2/3/11

e. View Angle



f. Definition of Luminance of White: Luminance of white at the center points

Light Source of Back-Light Unit	LED Type
---------------------------------	----------

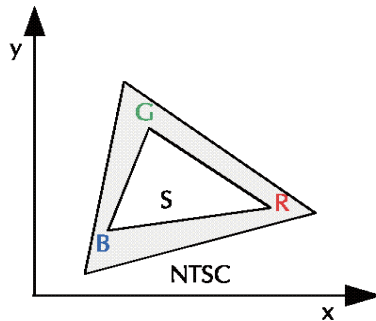
g. Definition of White Uniformity

$$\text{White Uniformity} = \frac{\text{Min. luminance of white among 9-points}}{\text{Max. luminance of white among 9-points}} \times 100\%$$

h. The definition of Color Gamut -Color Chromaticity CIE 1931

Color coordinate of white & red, green, blue at center point.

$$\text{Color Gamut : NTSC(\%)} = ( \text{RGB Triangle Area} / \text{NTSC Triangle Area} ) \times 100$$



HANTRONIX, INC. 10080 BUBB RD. CUPERTINO, CA 95014	Q.A.:	REV.:	HDA500-G	SHEET 11 OF 17
	Z.W.	1.0		DATE: 2/3/11

## 5. I/O Terminal

### 5.1 Pin Assignment

Pin No.	Symbol	I/O	Function	Remark
1	VLED-	P	Power for LED backlight cathode	
2	VLED+	P	Power for LED backlight anode	
3	GND	P	Power Ground	
4	VDD	P	Power Supply	
5	R0	I	Red data signal (LSB)	
6	R1	I	Red data signal	
7	R2	I	Red data signal	
8	R3	I	Red data signal	
9	R4	I	Red data signal	
10	R5	I	Red data signal	
11	R6	I	Red data signal	
12	R7	I	Red data signal (MSB)	
13	G0	I	Green data signal (LSB)	
14	G1	I	Green data signal	
15	G2	I	Green data signal	
16	G3	I	Green data signal	
17	G4	I	Green data signal	
18	G5	I	Green data signal	
19	G6	I	Green data signal	
20	G7	I	Green data signal (MSB)	
21	B0	I	Blue data signal (LSB)	
22	B1	I	Blue data signal	
23	B2	I	Blue data signal	
24	B3	I	Blue data signal	
25	B4	I	Blue data signal	
26	B5	I	Blue data signal	
27	B6	I	Blue data signal	
28	B7	I	Blue data signal (MSB)	
29	DGND	P	Digital ground	
30	DCLK	I	Pixel clock	
31	DISP	I	Display on/ off	
32	HSYNC	I	Horizontal sync signal	
33	VSYNC	I	Vertical sync signal	
34	DE	I	Data Enable signal	
35	NC	I	No Connect	

HANTRONIX, INC.  
10080 BUBB RD.  
CUPERTINO, CA 95014

Q.A.:  
Z.W.

REV.:  
1.0

HDA500-G

SHEET 12 OF 17

DATE:  
2/3/11

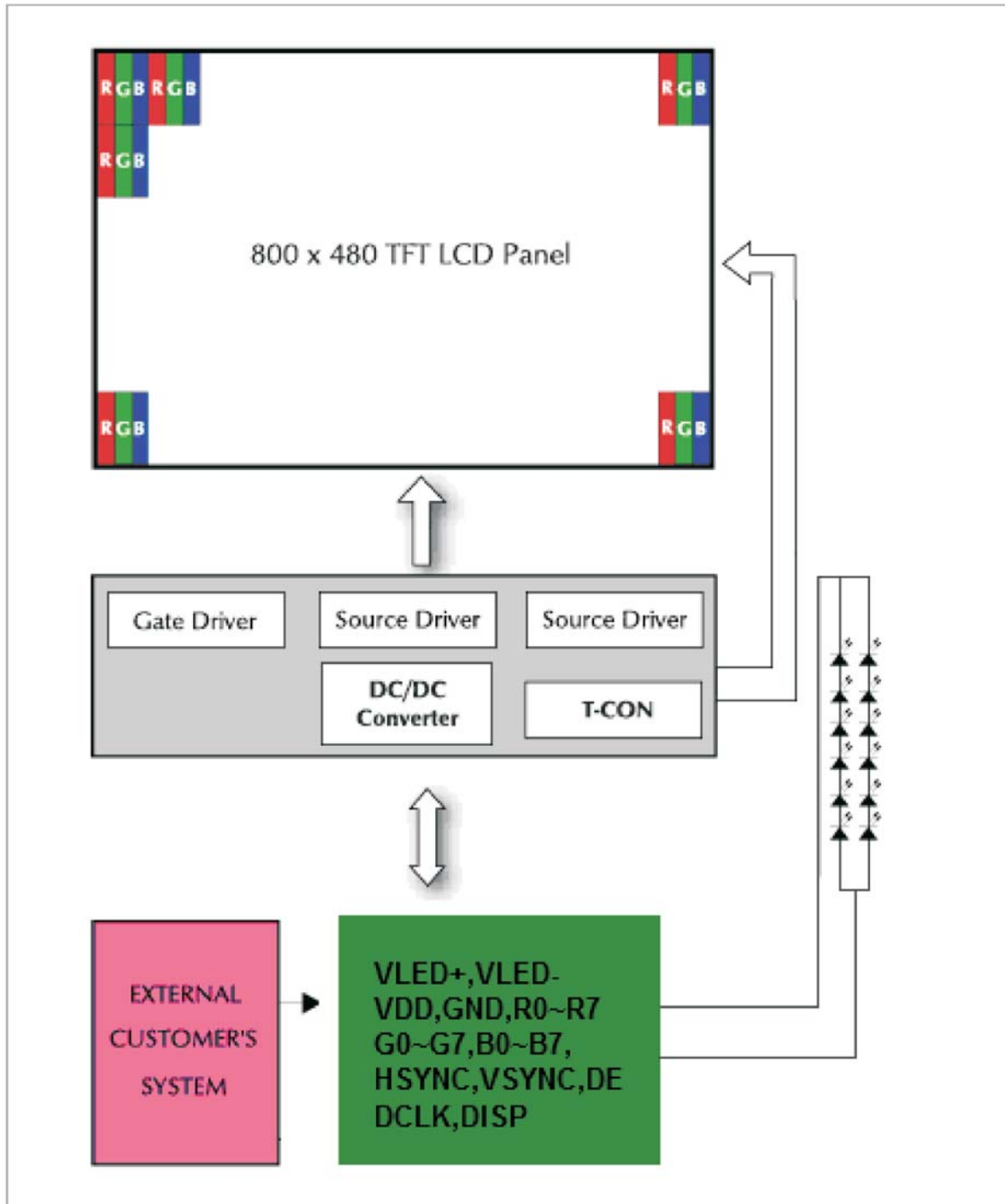
36	GND	P	Power Ground	
37	NC	-	No Connect	
38	NC	-	No Connect	
39	NC	-	No Connect	
40	NC	-	No Connect	

I: Input, O: Output, P: Power

Notes:

- 1) NC Pin must be retained; this pin can't contact GND or other signal.
- 2) GND Pin must ground contact, can not be floating.
- 3) Connector Part No: FH19SC-40S-0.5SH (51) or equivalent.

5.2 Block Diagram



HANTRONIX, INC. 10080 BUBB RD. CUPERTINO, CA 95014	Q.A.:	REV.:	HDA500-G	SHEET 14 OF 17
	Z.W.	1.0		DATE: 2/3/11

**6. Displayed Color and Input Data**

	Color & Gray Scale	Data Signal																							
		R7	R6	R5	R4	R3	R2	R1	R0	G7	G6	G5	G4	G3	G2	G1	G0	B7	B6	B5	B4	B3	B2	B1	B0
Basic Color	Black	0	0	0	0	0	0	0	0	0	0	0	0	0	0	0	0	0	0	0	0	0	0	0	0
	Red	1	1	1	1	1	1	1	1	0	0	0	0	0	0	0	0	0	0	0	0	0	0	0	0
	Green	0	0	0	0	0	0	0	0	1	1	1	1	1	1	1	1	0	0	0	0	0	0	0	0
	Blue	0	0	0	0	0	0	0	0	0	0	0	0	0	0	0	0	1	1	1	1	1	1	1	1
	Cyan	0	0	0	0	0	0	0	0	1	1	1	1	1	1	1	1	1	1	1	1	1	1	1	1
	Magenta	1	1	1	1	1	1	1	1	0	0	0	0	0	0	0	0	1	1	1	1	1	1	1	1
	Yellow	1	1	1	1	1	1	1	1	1	1	1	1	1	1	1	1	0	0	0	0	0	0	0	0
	White	1	1	1	1	1	1	1	1	1	1	1	1	1	1	1	1	1	1	1	1	1	1	1	1
Red	Black	0	0	0	0	0	0	0	0	0	0	0	0	0	0	0	0	0	0	0	0	0	0	0	
	Red(1)	0	0	0	0	0	0	0	1	0	0	0	0	0	0	0	0	0	0	0	0	0	0	0	
	Red(2)	0	0	0	0	0	0	0	1	0	0	0	0	0	0	0	0	0	0	0	0	0	0	0	
	:	:	:	:	:	:	:	:	:	:	:	:	:	:	:	:	:	:	:	:	:	:	:	:	
	Red(127)	0	1	1	1	1	1	1	1	0	0	0	0	0	0	0	0	0	0	0	0	0	0	0	
	:	:	:	:	:	:	:	:	:	:	:	:	:	:	:	:	:	:	:	:	:	:	:	:	:
	Red(254)	1	1	1	1	1	1	1	0	0	0	0	0	0	0	0	0	0	0	0	0	0	0	0	
Red(255)	1	1	1	1	1	1	1	1	0	0	0	0	0	0	0	0	0	0	0	0	0	0	0		
Green	Black	0	0	0	0	0	0	0	0	0	0	0	0	0	0	0	0	0	0	0	0	0	0	0	
	Green(1)	0	0	0	0	0	0	0	0	0	0	0	0	0	0	0	1	0	0	0	0	0	0	0	
	Green(2)	0	0	0	0	0	0	0	0	0	0	0	0	0	0	1	0	0	0	0	0	0	0	0	
	:	:	:	:	:	:	:	:	:	:	:	:	:	:	:	:	:	:	:	:	:	:	:	:	
	Green(127)	0	0	0	0	0	0	0	0	0	1	1	1	1	1	1	1	0	0	0	0	0	0	0	
	:	:	:	:	:	:	:	:	:	:	:	:	:	:	:	:	:	:	:	:	:	:	:	:	
	Green(254)	0	0	0	0	0	0	0	0	1	1	1	1	1	1	1	0	0	0	0	0	0	0	0	
Green(255)	0	0	0	0	0	0	0	0	1	1	1	1	1	1	1	0	0	0	0	0	0	0	0		
Blue	Black	0	0	0	0	0	0	0	0	0	0	0	0	0	0	0	0	0	0	0	0	0	0	0	
	Blue(1)	0	0	0	0	0	0	0	0	0	0	0	0	0	0	0	0	0	0	0	0	0	0	1	
	Blue(2)	0	0	0	0	0	0	0	0	0	0	0	0	0	0	0	0	0	0	0	0	0	0	1	
	:	:	:	:	:	:	:	:	:	:	:	:	:	:	:	:	:	:	:	:	:	:	:	:	
	Blue(127)	0	0	0	0	0	0	0	0	0	0	0	0	0	0	0	0	1	1	1	1	1	1	1	
	:	:	:	:	:	:	:	:	:	:	:	:	:	:	:	:	:	:	:	:	:	:	:	:	
	Blue(254)	0	0	0	0	0	0	0	0	0	0	0	0	0	0	0	1	1	1	1	1	1	1	0	
Blue(255)	0	0	0	0	0	0	0	0	0	0	0	0	0	0	0	1	1	1	1	1	1	1	1		

0 : Low level voltage, 1 :High level voltage

Each basic color can be displayed in 256 gray scales from 8 bit data signals. With the combination of total 24 bit data signals, the 16.7M color display can be achieved on the screen.

HANTRONIX, INC. 10080 BUBB RD. CUPERTINO, CA 95014	Q.A.:	REV.:	HDA500-G	SHEET 15 OF 17
	Z.W.	1.0		DATE: 2/3/11

**7. Reliability Condition**

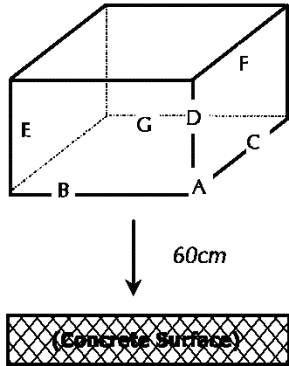
No change on display and in operation under the following test condition.

Condition: Unless otherwise specified, tests will be conducted under the following condition.

Temperature: 20±5°C.

Humidity: 65±5%RH.

Tests will be not conducted under functioning state.

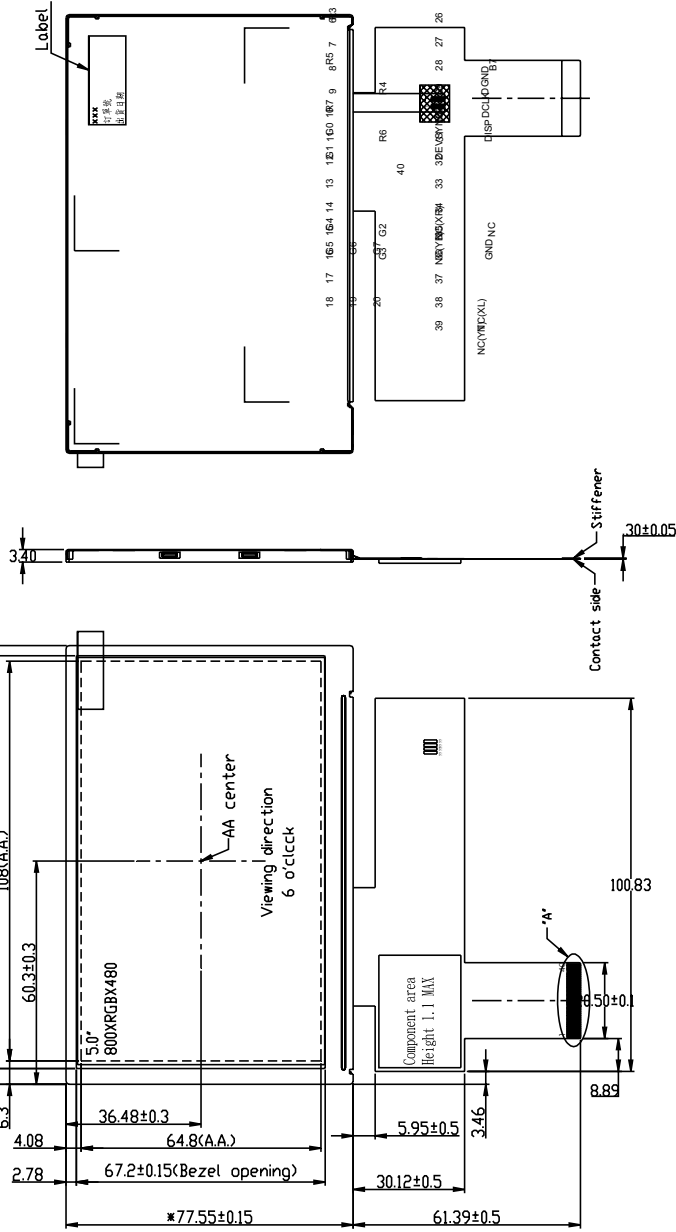
No.	Parameter	Condition	Notes
1	High Temperature Operating	70°C±2°C, 240hrs (Operation state).	
2	Low Temperature Operating	-20°C±2°C, 240hrs (Operation state).	1
3	High Temperature Storage	80°C±2°C, 240hrs.	2
4	Low Temperature Storage	-30°C±2°C, 240hrs.	1,2
5	High Temperature and High Humidity Operation Test	60°C±2°C, 90%, 240hrs.	1,2
6	Vibration Test	Total fixed amplitude: 1.5mm. Vibration Frequency: 10~55Hz. One cycle 60 seconds to 3 direction of X, Y, Z each 15 minutes.	3
7.	Drop Test	To be measured after dropping from 60cm high on the concrete surface in packing state.  <i>Dropping method corner dropping:</i> <i>A corner: Once edge dropping.</i> <i>B, C, D edge: Once face dropping.</i> <i>E, F, G face: Once.</i>	

- Notes:
1. No dew condensation to be observed.
  2. The function test shall be conducted after 4 hours storage at the normal temperature and humidity after removed from the test chamber.
  3. Vibration test will be conducted to the product itself without putting I in a container.



# 8. Dimensional Outlines

21 B0



FPC PIN ASSIGNMENT		
NO	SYMBOL	NO SYMBOL
1	NC	
2	NC	
3	NC	
4	NC	
5	NC	
6	NC	
7	NC	
8	NC	
9	NC	
10	NC	
11	NC	
12	NC	
13	NC	
14	NC	
15	NC	
16	NC	
17	NC	
18	NC	
19	NC	
20	NC	
21	NC	
22	NC	
23	NC	
24	NC	
25	NC	
26	NC	
27	NC	
28	NC	
29	NC	
30	NC	
31	NC	
32	NC	
33	NC	
34	NC	
35	NC	
36	NC	
37	NC	
38	NC	
39	NC	
40	NC	
41	NC	
42	NC	
43	NC	
44	NC	
45	NC	
46	NC	
47	NC	
48	NC	
49	NC	
50	NC	
51	NC	
52	NC	
53	NC	
54	NC	
55	NC	
56	NC	
57	NC	
58	NC	
59	NC	
60	NC	
61	NC	
62	NC	
63	NC	
64	NC	
65	NC	
66	NC	
67	NC	
68	NC	
69	NC	
70	NC	
71	NC	
72	NC	
73	NC	
74	NC	
75	NC	
76	NC	
77	NC	
78	NC	
79	NC	
80	NC	
81	NC	
82	NC	
83	NC	
84	NC	
85	NC	
86	NC	
87	NC	
88	NC	
89	NC	
90	NC	
91	NC	
92	NC	
93	NC	
94	NC	
95	NC	
96	NC	
97	NC	
98	NC	
99	NC	
100	NC	
101	NC	
102	NC	
103	NC	
104	NC	
105	NC	
106	NC	
107	NC	
108	NC	
109	NC	
110	NC	
111	NC	
112	NC	
113	NC	
114	NC	
115	NC	
116	NC	
117	NC	
118	NC	
119	NC	
120	NC	
121	NC	
122	NC	
123	NC	
124	NC	
125	NC	
126	NC	
127	NC	
128	NC	
129	NC	
130	NC	
131	NC	
132	NC	
133	NC	
134	NC	
135	NC	
136	NC	
137	NC	
138	NC	
139	NC	
140	NC	
141	NC	
142	NC	
143	NC	
144	NC	
145	NC	
146	NC	
147	NC	
148	NC	
149	NC	
150	NC	
151	NC	
152	NC	
153	NC	
154	NC	
155	NC	
156	NC	
157	NC	
158	NC	
159	NC	
160	NC	
161	NC	
162	NC	
163	NC	
164	NC	
165	NC	
166	NC	
167	NC	
168	NC	
169	NC	
170	NC	
171	NC	
172	NC	
173	NC	
174	NC	
175	NC	
176	NC	
177	NC	
178	NC	
179	NC	
180	NC	
181	NC	
182	NC	
183	NC	
184	NC	
185	NC	
186	NC	
187	NC	
188	NC	
189	NC	
190	NC	
191	NC	
192	NC	
193	NC	
194	NC	
195	NC	
196	NC	
197	NC	
198	NC	
199	NC	
200	NC	
201	NC	
202	NC	
203	NC	
204	NC	
205	NC	
206	NC	
207	NC	
208	NC	
209	NC	
210	NC	
211	NC	
212	NC	
213	NC	
214	NC	
215	NC	
216	NC	
217	NC	
218	NC	
219	NC	
220	NC	
221	NC	
222	NC	
223	NC	
224	NC	
225	NC	
226	NC	
227	NC	
228	NC	
229	NC	
230	NC	
231	NC	
232	NC	
233	NC	
234	NC	
235	NC	
236	NC	
237	NC	
238	NC	
239	NC	
240	NC	
241	NC	
242	NC	
243	NC	
244	NC	
245	NC	
246	NC	
247	NC	
248	NC	
249	NC	
250	NC	
251	NC	
252	NC	
253	NC	
254	NC	
255	NC	
256	NC	
257	NC	
258	NC	
259	NC	
260	NC	
261	NC	
262	NC	
263	NC	
264	NC	
265	NC	
266	NC	
267	NC	
268	NC	
269	NC	
270	NC	
271	NC	
272	NC	
273	NC	
274	NC	
275	NC	
276	NC	
277	NC	
278	NC	
279	NC	
280	NC	
281	NC	
282	NC	
283	NC	
284	NC	
285	NC	
286	NC	
287	NC	
288	NC	
289	NC	
290	NC	
291	NC	
292	NC	
293	NC	
294	NC	
295	NC	
296	NC	
297	NC	
298	NC	
299	NC	
300	NC	
301	NC	
302	NC	
303	NC	
304	NC	
305	NC	
306	NC	
307	NC	
308	NC	
309	NC	
310	NC	
311	NC	
312	NC	
313	NC	
314	NC	
315	NC	
316	NC	
317	NC	
318	NC	
319	NC	
320	NC	
321	NC	
322	NC	
323	NC	
324	NC	
325	NC	
326	NC	
327	NC	
328	NC	
329	NC	
330	NC	
331	NC	
332	NC	
333	NC	
334	NC	
335	NC	
336	NC	
337	NC	
338	NC	
339	NC	
340	NC	
341	NC	
342	NC	
343	NC	
344	NC	
345	NC	
346	NC	
347	NC	
348	NC	
349	NC	
350	NC	
351	NC	
352	NC	
353	NC	
354	NC	
355	NC	
356	NC	
357	NC	
358	NC	
359	NC	
360	NC	
361	NC	
362	NC	
363	NC	
364	NC	
365	NC	
366	NC	
367	NC	
368	NC	
369	NC	
370	NC	
371	NC	
372	NC	
373	NC	
374	NC	
375	NC	
376	NC	
377	NC	
378	NC	
379	NC	
380	NC	
381	NC	
382	NC	
383	NC	
384	NC	
385	NC	
386	NC	
387	NC	
388	NC	
389	NC	
390	NC	
391	NC	
392	NC	
393	NC	
394	NC	
395	NC	
396	NC	
397	NC	
398	NC	
399	NC	
400	NC	
401	NC	
402	NC	
403	NC	
404	NC	
405	NC	
406	NC	
407	NC	
408	NC	
409	NC	
410	NC	
411	NC	
412	NC	
413	NC	
414	NC	
415	NC	
416	NC	
417	NC	
418	NC	
419	NC	
420	NC	
421	NC	
422	NC	
423	NC	
424	NC	
425	NC	
426	NC	
427	NC	
428	NC	
429	NC	
430	NC	
431	NC	
432	NC	
433		