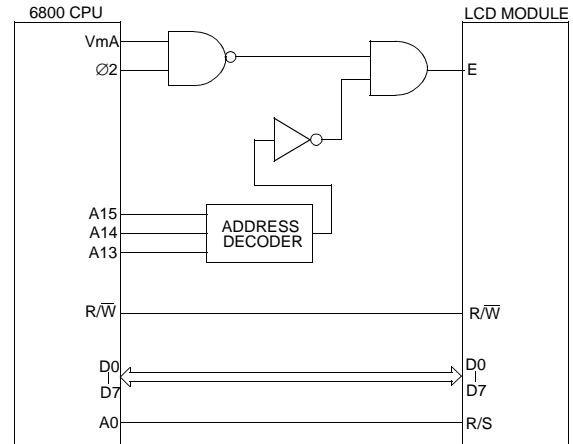
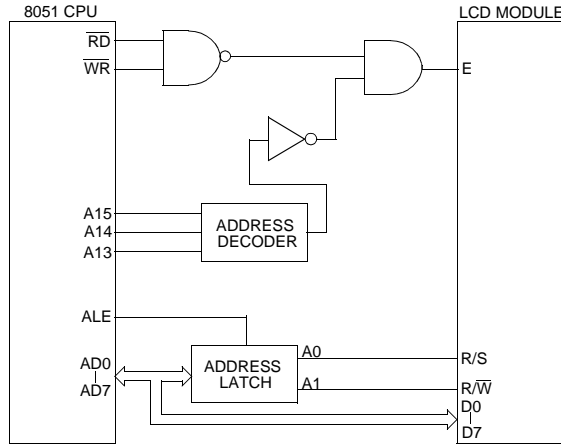


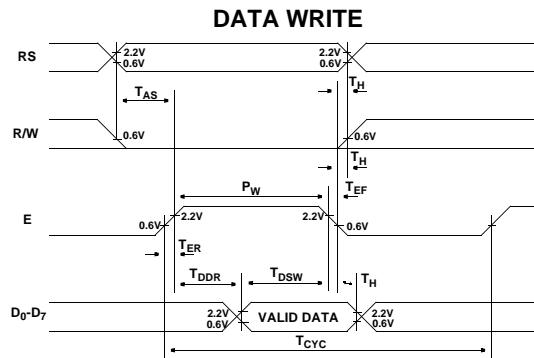
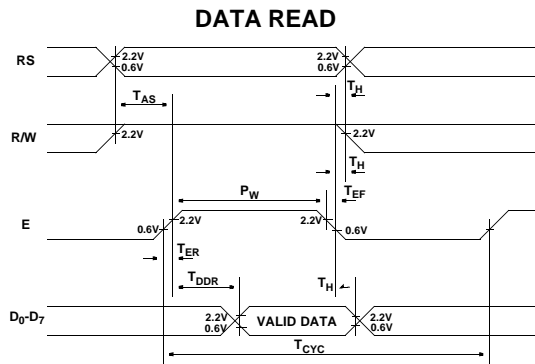
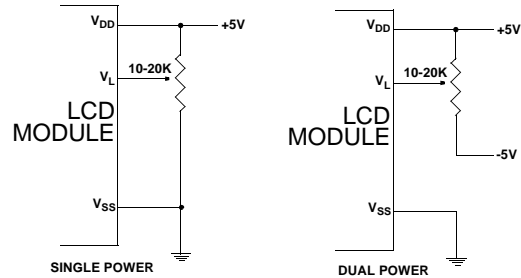
PROCESSOR INTERFACING



TIMING CHARACTERISTICS

ITEM	SYMBOL	MAX.	MIN.	UNIT
ENABLE CYCLE TIME	T_{CYC}		500	nS
ENABLE PULSE WIDTH	P_W		230	nS
ENABLE RISE/FALL TIME	T_{ER}, T_{EF}	20		nS
RS, R/W SET UP TIME	T_{AS}		40	nS
DATA DELAY TIME	T_{DDR}	360		nS
DATA SETUP TIME	T_{DSW}		60	nS
HOLD TIME	T_H		10	nS

POWER SUPPLY EXAMPLES



HANDLING LCD'S & LCD MODULES

CLEANING

- Wipe gently with cotton or soft material soaked in petroleum benzene.
- Do not use acetone, toluene, ethanol or isopropyl alcohol.
- Contact with water for a long period of time may damage the display.

SAFETY

- The toxicity of liquid crystal fluid is very low, but wash it off immediately with soap and water if fluid touches the skin or clothing.

HANDLING

- Do not touch display area with bare hands.
- Do not touch exposed polarizer with hard objects.
- Do not expose the CMOS IC's to static electricity.
- Avoid exposing the module to excessive shock or pressure.
- Do not allow the storage temperature to exceed the specified range.