

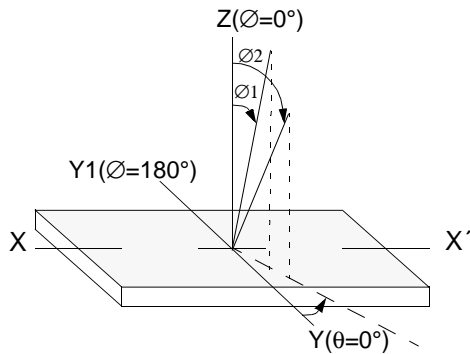
ELECTRO-OPTICAL CHARACTERISTICS

1. TN TYPE (Twisted Nematic)

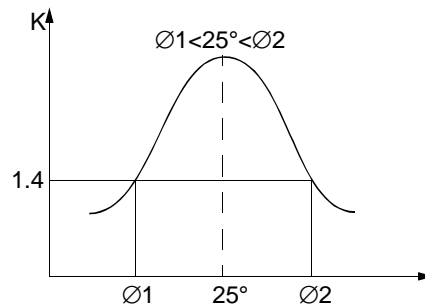
ITEM	SYMBOL	CONDITION	MIN	TYP	MAX	UNIT	NOTE
VIEWING ANGLE	$\varnothing 2-\varnothing 1$	$K=1.4$	20	-	-	DEG.	1,2
CONTRAST RATIO	K	$\varnothing=25^\circ$ $\theta=0^\circ$	6	-	-	-	3
RESPONSE TIME (RISE)	t_r	$\varnothing=25^\circ$ $\theta=0^\circ$	-	150	250	mS	4
RESPONSE TIME (FALL)	t_f	$\varnothing=25^\circ$ $\theta=0^\circ$	-	150	250	mS	4

2. STN TYPE (Super Twisted Nematic)

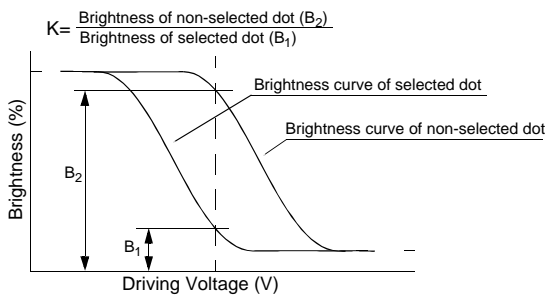
ITEM	SYMBOL	CONDITION	MIN	TYP	MAX	UNIT	NOTE
VIEWING ANGLE	$\varnothing 2-\varnothing 1$	$K=1.4$	40	-	-	DEG.	1,2
CONTRAST RATIO	K	$\varnothing=25^\circ$ $\theta=0^\circ$	9	-	-	-	3
RESPONSE TIME (RISE)	t_r	$\varnothing=25^\circ$ $\theta=0^\circ$	-	250	400	mS	4
RESPONSE TIME (FALL)	t_f	$\varnothing=25^\circ$ $\theta=0^\circ$	-	200	250	mS	4



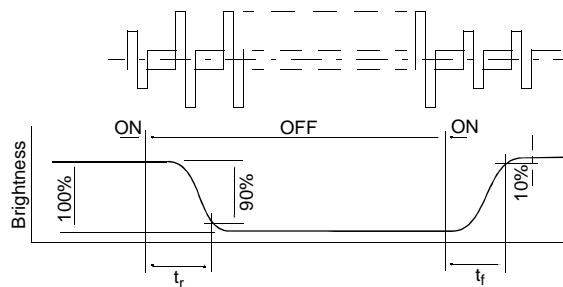
NOTE1. Definition of angle \varnothing and θ



NOTE2. Definition of optical response



NOTE3. Definition of contrast 'K'



NOTE 4. Definition of optical response